



## GeBE-VARIO Plus Linerless

## GPT-187x0-LL

### TECHNICAL INFORMATION



#### The key advantages at a glance:

- Thermal printer, also with presenter unit and paper roll holder
- Linerless cutter for full cut for paper thickness 72 – 120 µm
- Suitable for linerless paper printouts of text, graphics and barcodes
- For paper width 78– 152 mm and paper roll diameter up to 250 mm
- High quality print of 203/300 dpi with speed up to 250 mm/s

## The GeBE-VARIO Plus Linerless

The thermal printer GeBE-VARIO Plus Linerless with linerless cutter and optional with presenter unit is particularly suitable for papers without liner material (linerless). The material of the platen as well as the cutter blade is adhesive-repellent whereby linerless paper is transported and cut off without any problems. The linerless papers are also much more environmentally friendly, as no carrier material has to be disposed of as hazardous waste.

The wide range of available layout commands and several character sizes allow attractive ticket designs. Using the right paper, the printer can be operated in a temperature range from -20°C to +70°C (-4°F to +158°F).



*Due to the properties of linerless papers, the specific temperature ranges according to paper specification TI-DE-0879 must be observed!*

### Typical applications

- Label printing, e.g. in logistic and retail

### Drivers

The printer controller GCT-10610 will be supported by following drivers:

- Windows<sup>®</sup> 10, 11 and Windows<sup>®</sup> CE 7.0 (others on request)
- CUPS for Linux Ubuntu 16.04 LTS, 18.04 LTS, 20.04 LTS, 22.04 LTS and 24.04 LTS (others on request)
- SDK for Windows<sup>®</sup> 10, 11 and Windows<sup>®</sup> CE 7.0, Android Studio up from version 3.2.1, Linux Ubuntu 16.04 LTS, 18.04 LTS, 20.04 LTS, 22.04 LTS and 24.04 LTS (others on request)

## Accessory

Article number	Article description	GPT-18740 (203 dpi)	GPT-18740 (300 dpi)	GPT-18760 (203 dpi)
<b>Cable</b>				
14552	Data round cable USB 2.0 FS, USB B right angled to USB A, length 2,000 mm (78.74 inch)	x	x	x
14593	Data round cable Ethernet, 8 pin, RJ45 auf RJ45 right angled, length 2,000 mm (78.74 inch)	x	x	x
14612	Applicator cable, 8 pin, JST PHDR – one side open, length 500 mm (19.69 inch)	x	x	x
14553	Power supply cable 3 pin, shockproof plug angled type E+F to ICE socket C13 angled up, length 1,800 mm (70.87 inch)	x	x	x
14576	Power supply cable 3 pin, shockproof plug type B to ICE socket C13 angled up, length 1,800 mm (70.87 inch)	x	x	x
14580	Power supply cable 3 pin, shockproof plug type G to ICE socket C13 angled up, length 1,800 mm (70.87 inch)	x	x	x
<b>Power supply</b>				
14571	Industrial power supply 24 VDC / 16.7 A	x	x	x
<b>Spare parts</b>				
14561	Linerless platen	x	x	x
14555	4 inch print head, 300 dpi		x	
14597	4 inch print head, 203 dpi	x		
14556	6 inch print head, 203 dpi			x
<b>Options</b>				
14448	Paper roll holder for paper rolls ø 250 mm (9.84 inch) • paper width: 152 mm (5.98 inch) • with tensioner in lower position • without paper roll axis • without NPE	x	x	x
14449	Paper roll axis for 14448 • paper width: 152 mm (5.98 inch) • core diameter: 40 mm (1.57 inch)	x	x	x
14450	Paper roll axis for 14448 • paper width: 152 mm (5.98 inch) • core diameter: 76 mm (2.99 inch)	x	x	x
<b>Paper</b>				
14598	Roll: max. ø 180 mm (7.09 inch) • core inside: ø 76 mm (2.99 inch) • width: 105.0 ±0.5 mm (4.13 ±0.02 inch) • paper thickness: approx. 85 µm (3.35 mil) • outside coated • running length: approx. 210 m (229.66 yd) • linerless	x	x	
14544	Roll: max. ø 180 mm (7.09 inch) • core inside: ø 76 mm (2.99 inch) • width: 148.0 ±0.5 mm (5.83 ±0.02 inch) • paper thickness: approx. 85 µm (3.35 mil) • outside coated • running length: approx. 210 m (229.66 yd) • linerless			x

## Technical drawings

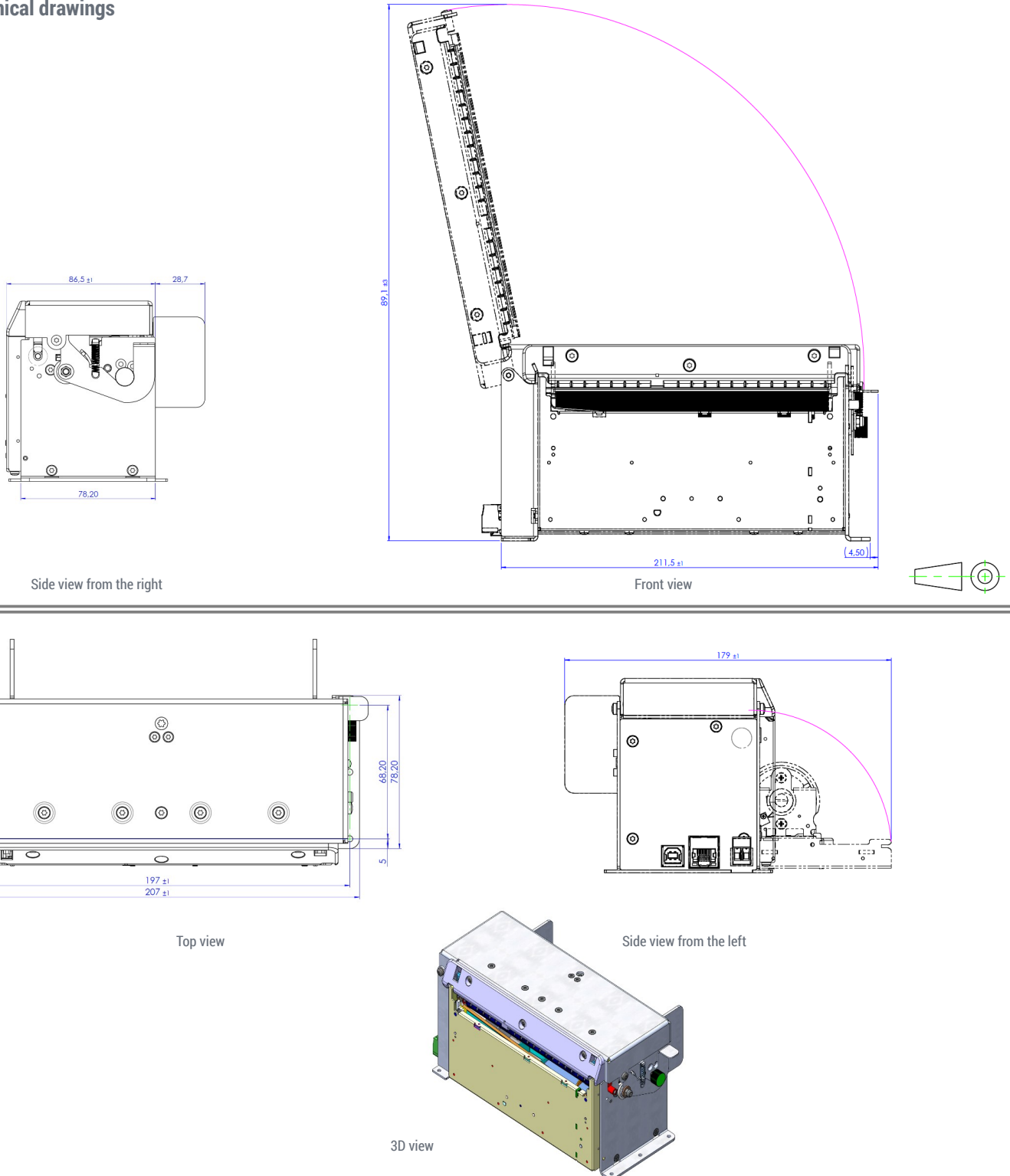


Figure 1: Dimensions GeBE-VARIO Plus Linerless GPT-187x0 in mm

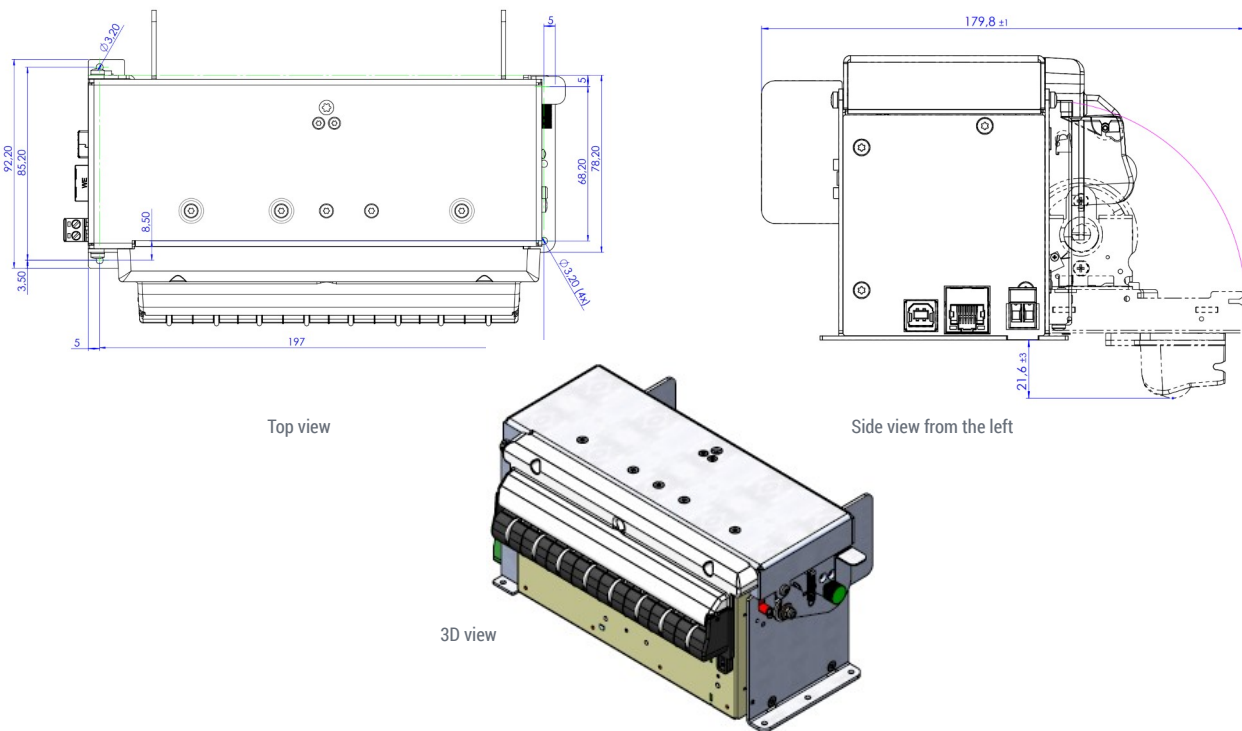
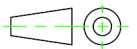
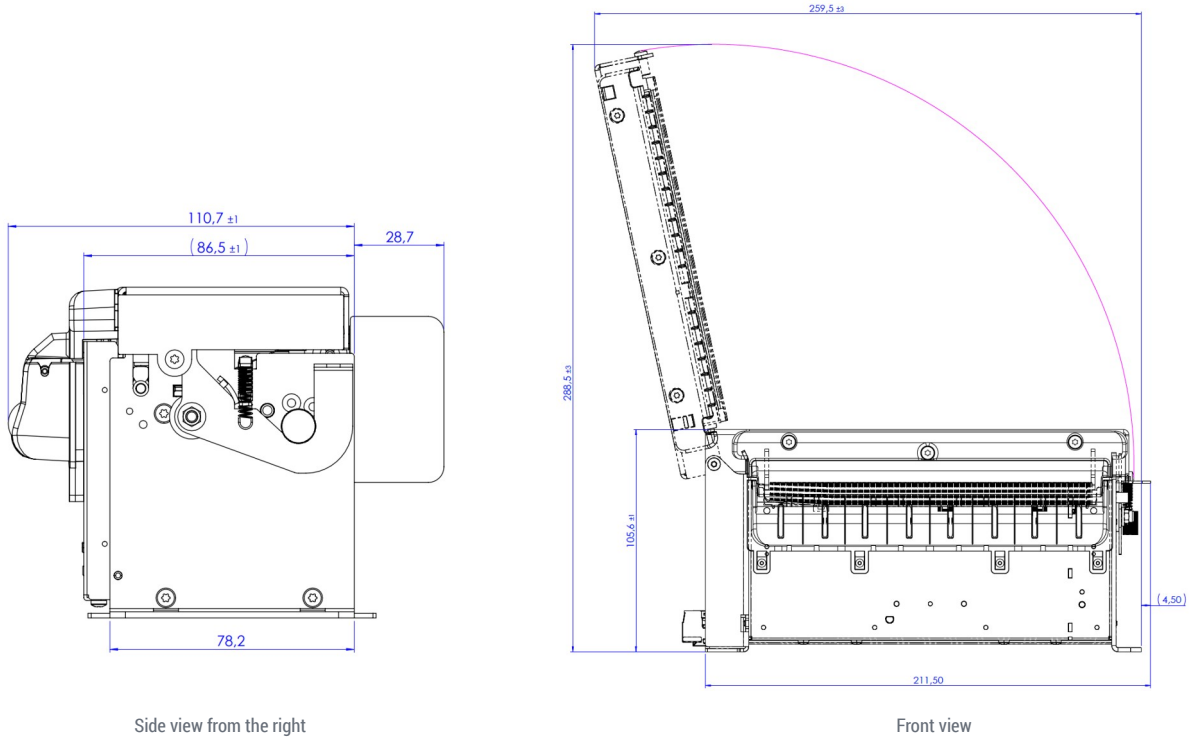


Figure 2: Dimensions GeBE-VARIO Plus Linerless GPT-187x0 with presenter in mm

## Technical data details

	GPT-18740-LL (203 dpi)	GPT-18740-LL (300 dpi)	GPT-18760-LL (203 dpi)
Insert paper	easy paper loading		
Print procedure	thermal direct print		
Resolution	8 dots/mm (203 dpi), 832 dots/mm	12 dots/mm (300 dpi), 1,280 dots/line	8 dots/mm (203 dpi), 1,152 dots/line
Print speed	max. 250 mm/s		max. 200 mm/s
Paper width	78 – 152 mm (3.07 – 5.98 inch), free adjustable		
Print width	104 mm (4.09 inch)	108 mm (4.25 inch)	144 mm (5.67 inch)
Paper thickness	72 – 120 µm (2.83 – 4.72 mil)		
Paper roll diameter	max. 250 mm (9.84 inch) with paper roll holder		
Supply voltage	24 VDC ±10%		
Current consumption print	adjustable via command: approx. 3.0 – 14.6 A (peak)		adjustable via command: approx. 3.0 – 16.7 A (peak)
Current consumption without print	approx. 70 mA (depending on interface)		
Available interfaces	USB 2.0 FS, LAN		
Fonts	11 fonts extendable, UTF-able, (optional: Unicode)		
Barcode	EAN8, EAN13, UPCA, Code39, 2aus5int, Code128, QR Code		
MTBF*)	100 km (62 miles) / 2 Mio. cuts (at standard environmental conditions only)		
Dimensions (W x H x D)	212 x 106 x 116 mm (8.35 x 4.17 x 4.57 inch)		
Weight (without paper roll)	approx. 2,160 g		
Housing	stainless steel		
Environment**) <i>Due to the properties of linerless papers, the specific temperature ranges according to paper specification TI-DE-0879 must be observed!</i>	-20°C – +70°C (-4°F – 158°F), with specified paper		
Humidity	10 – 90 % relative humidity, without condensation		
Storage condition	-30°C – +80°C (-22°F – +176°F) at 10 – 90 % relative humidity, without condensation		

\*) Life cycle according to mechanism testing conditions of the manufacturer with specified paper only. Please inquire. The life cycle of the print head is an averaged expectable performance and no guaranteed data. Under optimum conditions, the above listed data can be achieved using specified paper according to our documentation TI-DE-0879.

Printhead life cycle and print density may be affected at temperatures outside the range of -5°C to +50°C (23°F to 122°F).

The specified cutter performance may be reduced at temperatures outside the range of 0°C to +50°C (32°F to 122°F).

\*\*) The maximum possible operating temperature depends on the adhesive used in the linerless paper (25°C (77°F) for typical retail adhesive). For higher operating temperatures, a different adhesive type must be used. In case the print head reaches the maximum ambient temperature, the printer will interrupt operation until cooling down and sends an error message.

The GeBE logo is a registered trademark of GeBE Elektronik und Feinwerktechnik GmbH. All other brands named in this brochure are properties of the respective companies.

The technical data given are non-committal information and do not represent any assurance of certain features. Errors and changes reserved.

This technical documentation is only valid until release of a revision. Please always request the newest documentation edition.

Our terms of payment and delivery apply.

Copyright © 2026 GeBE Elektronik und Feinwerktechnik GmbH.

All rights reserved.