

GeBE-KASSETTE

GPT-4443

TECHNICAL INFORMATION



Highlights at first sight:

- Built-in thermal printer in robust, closed metal housing
- Integrated paper winder for paper thickness 60 – 100 µm
- Easy paper handling through Easy Loading Technology
- For paper width up to 80.5 mm and paper roll diameter up to 46 mm
- Suitable for protocol printing with text, graphics and barcodes as well as data logging
- High quality print of 203 dpi, with speed up to 60 mm/s
- Customized version, e.g. customer specific operation foil

The GeBE-KASSETTE

The low-maintenance built-in thermal printer GeBE-KASSETTE (GPT-4443) has been developed for industrial applications. The cassette is completely removeable from the printer for paper roll exchange and thus allows the printer to be installed in places that are difficult to access.

The GeBE-KASSETTE is equipped with a power and status LED and an ON/OFF and FEED button. A wide range of available layout commands and several character sizes allow attractive protocol designs.

The printer is available for paper rolls with a diameter of 46 mm and a paper thickness of up to 100 µm. Using the right paper, the printer can be operated in a temperature range of -10°C to +50°C (14°F to 122°F).

Typical applications

- Industrial applications, e.g. for logging in machines and systems

Drivers

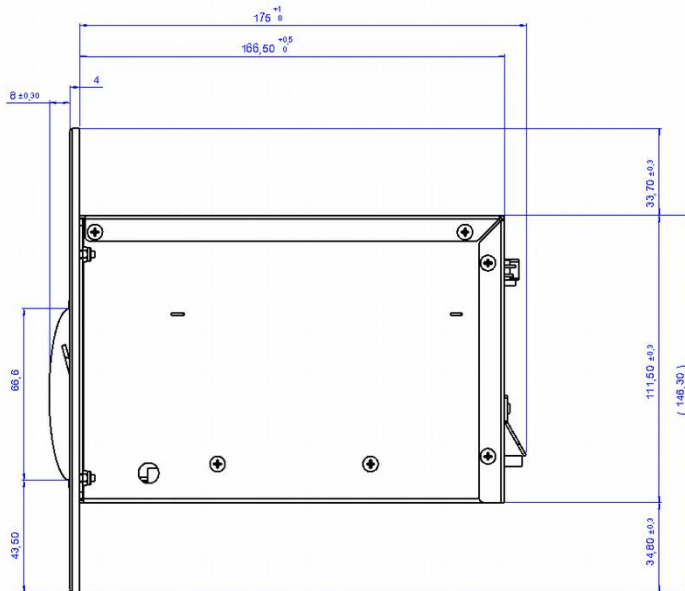
The printer controller GCT- 48620 will be supported by following drivers:

- Windows[®] 7, 8, 8.1, 10 and Windows[®] CE 5.0, 6.0, 7.0
- CUPS for Linux Ubuntu 16.04 LTS, 18.04 LTS, 19.04 LTS and 20.04 LTS (others on request)
- SDK for Windows[®] 7, 8, 8.1, 10 and Windows[®] CE 6.0, 7.0, Android Studio up from version 3.2.1, Linux Ubuntu 16.04 LTS, 18.04 LTS, 19.04 LTS and 20.04 LTS, (others on request)

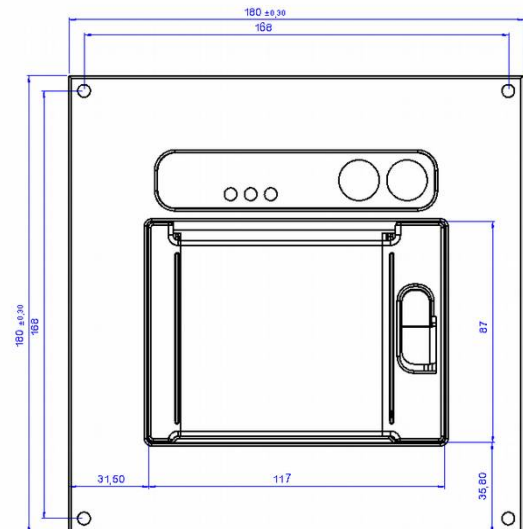
Accessory

Article number	Article description
Cable	
12538	Data round cable USB 2.0 FS, USB B to USB A, length 1,800 mm (70.87 inch)
14298	Data round cable USB 2.0 FS, USB B with screws to USB A, length 2,000 mm (78.74 inch)
10589	Data round cable RS232, 9 pin, 1:1 extension Sub-D to Sub-D, length 2,000 mm (78.74 inch)
13137	Data round cable RS232, 9 pin, 1:1 extension Sub-D to Sub-D, length 5,000 mm (196,85 inch)
10258	Power supply cable for 10 – 36 VDC, 2 single wires 1.0 mm ² with end splice, one side open, length 500 mm (19.69 inch)
Power supply	
13695	Power supply 24 VDC / 3A with shockproof plug and power supply cable
Paper	
13934	10 years paper • roll: max. ø 42 mm (1.65 inch) • core inside: ø 12 mm (0.47 inch) • width: 79.5 ±0.5 mm (3.13 ±0.02 inch) • paper thickness: approx. 60 µm (2.36 mil) • outside coated • running length: approx. 21 m (22.97 yd)
13653	10 years paper • roll: max. ø 46 mm (1.81 inch) • core inside: ø 12 mm (0.47 inch) • width: 79.5 ±0.5 mm (3.13 ±0.02 inch) • paper thickness: approx. 60 µm (2.36 mil) • outside coated • running length: approx. 24 m (26.25 yd)
Customization	
14339	Customer specific operation foil

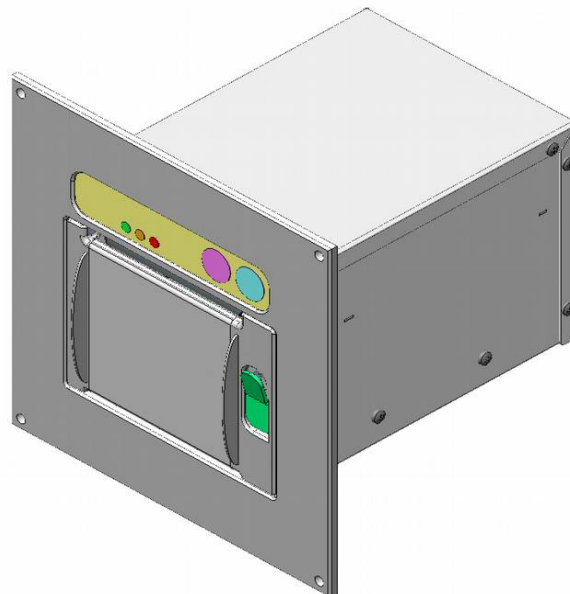
Technical drawings



Side view from the right

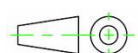


Front view



3D view

Figure 1: Dimensions for GeBE-KASSETTE GPT-4443 in mm



Technical data details

GPT-4443	
Insert paper	easy paper loading
Print procedure	thermal direct print
Resolution	8 dots/mm (203dpi), 576 dots/line
Print speed	max. 60 mm/s (2.36 inch/s), depending on settings
Paper width	80 ±0.5 mm (3.15 ±0.02 inch)
Print width	72 mm (2.83 inch)
Paper thickness	60 – 100 µm (2.36 – 3.94 mil)
Paper roll diameter	max. 46 mm (1.81 inch), with core 12 mm (0.47 inch)
Supply voltage	10 – 36 VDC
Current consumption print	adjustable via command: approx. 3.5 A (peak) @ 24 VDC / approx. 7.0 A (peak) @ 12 VDC
Current consumption without print	approx. 80 mA (depending on interface)
Available interfaces	USB 2.0 FS (isolated, 5,000 V rms for 1 minute per UL 1577), RS232 (isolated, 2,500 V rms for 1 minute per UL 1577)
Fonts	11 fonts extendable, UTF-able, optional: Unicode
Barcode	EAN8, EAN13, UPCA, Code39, 2of5int, Code128, QR Code
MTBF*)	50 km (31 miles)
Dimensions (W x H x D)	180 x 180 x 187 mm (7.09 x 7.09 x 7.36 inch), mounting depth: 175 mm (6.89 inch)
Weight incl. paper roll	approx. 2,340 g
Housing	Aluminum and galvanized sheet steel
Environment **)	-10°C – +50°C (14°F – 122°F) with specified paper
Humidity	10 – 80 % relative humidity, without condensation
Storage condition	-20°C – +70°C (-4°F – +158°F) at 10 – 90 % relative humidity, without condensation

*) Life cycle according to mechanism testing conditions of the manufacturer with specified paper only. Please inquire. The life cycle of the print head is an averaged expectable performance and no guaranteed data. Under optimum conditions, the above listed data can be achieved using specified paper according to our documentation TI-DE-0606.

***) In case the print head reaches the maximum ambient temperature, the printer will interrupt operation until cooling down and sends an error message.

The GeBE logo is a registered trademark of GeBE Elektronik und Feinwerktechnik GmbH. All other brands named in this brochure are properties of the respective companies. The technical data given are non-committal information and do not represent any assurance of certain features. Errors and changes reserved. This technical documentation is only valid until release of a revision. Please always request the newest documentation edition. Our terms of payment and delivery apply.

Copyright © 2021 GeBE Elektronik und Feinwerktechnik GmbH.
All rights reserved.