

GeBE-MULDE Maxi

TECHNICAL INFORMATION

GPT-4454



Highlights at first sight:

- built-in thermal printer in a glass fiber reinforced housing
- ideal for protocol, receipt and label printing on paper width 114 mm
- real alternative for A4 printers used in industrial areas, PCL3 graphics compatible
- operation with both 5 VDC and wide input voltage range 10-36 VDC via DC/DC converter
- customized versions for medium quantities e.g. operation foil or housing colour
- dynamic printing up to 70 mm/s

The GeBE-MULDE Maxi

The thermal printer GeBE-MULDE Maxi (GPT-4454) is built in a glass fiber reinforced plastic housing and serves the industrial field application as a stationary implementation. It is a true space-saving alternative to A4 printer systems. The GeBE-MULDE Maxi is also compatible to PCL3 graphics. USB and RS232 interfaces are standard available. The GeBE-MULDE Maxi prints on self-adhesive labels. Using the right paper, the printer can be operated in a temperature range of -20°C to +60°C (-4°F to 140 °F).

Typical application

- protocol printing, e.g. in machines, for technical measurement purposes or documentation
- receipt printing, e.g. at POS or for accounting systems in gastronomy

Drivers

The printer controller GCT-4462 and GCT-44621 will be supported by following drivers:

Windows[®] CE 5.0, 6.0, 7.0 and Windows[®] XP, 7, 8, 8.1, 10

Unix via Cups for Linux and Mac OS

Accessory

Article number	Article description
Cable	
12872	Data round cable USB 2.0, 5 pin, Molex to USB A, length 2,000 mm (78.74 inch)
12538	Data round cable USB 2.0, USB B to USB A, length 1,800 mm (70.87 inch)
11387	Data cable RS232, 5 pin, JST SHR - one side open, length 500 mm (19.69 inch)
11352	Data round cable RS232, 5 pin, JST SHR to Sub-D, length 1,000 mm (39.37 inch)
10589	Data round cable RS232, 9 pin, 1:1 extension Sub-D9 to Sub-D9, length 2,000 mm (78.74 inch)
12082	Power supply, 7 pin, Molex - one side open, length 250 mm (9.84 inch)
Power supply	
13695	Power supply 24VDC / 3A with Schuko plug and power supply cable
13696	Power supply 5VDC / 5A with Schuko plug and power supply cable
Spare parts	
12773	Cover and lever anthracite
11913	Exchange printer mechanism including platen
13020	Exchange platen
Options	
12363	3HE mounting frame with fastening screws
13234	DIN mounting frame with fastening screws
13815	Controller protection plate with connection marking
Paper	
12028	7 years paper, roll ø 60 mm (2.36 inch), width: 113.5 ±0.5 mm (4.47 ±0.02 inch), roll max. ø 60 mm (2.36 inch), core inside ø 25 mm (0.98 inch), paper thickness: ca.80 µm (3.15 mil), outside coated, running length: approx. 25 m (27.34 yd)
12346	12 years single labels, size: 109.5x76.2 ±0.5 mm (4.31x3.00 ±0.02 inch), approx. 210 units, roll max. ø 60 mm (2.32 inch), core inside ø 25 mm (0.98 inch), width: 113.5 ±0.5 mm (4.47 ±0.02 inch), paper thickness: approx.120 µm (4.72 mil), outside coated
Customising	
12173	Customer specific foil
13669	Housing in special color RAL

Technical drawings

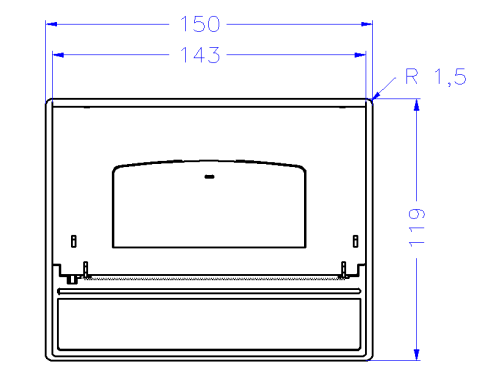
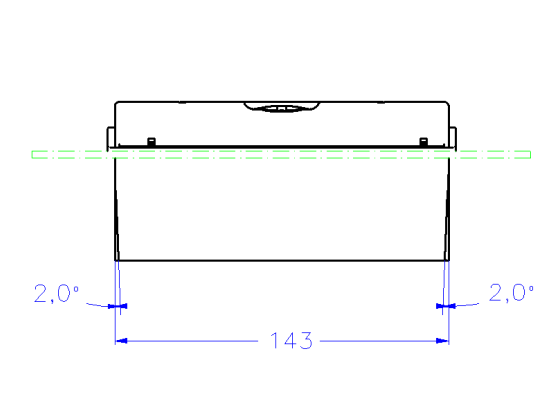
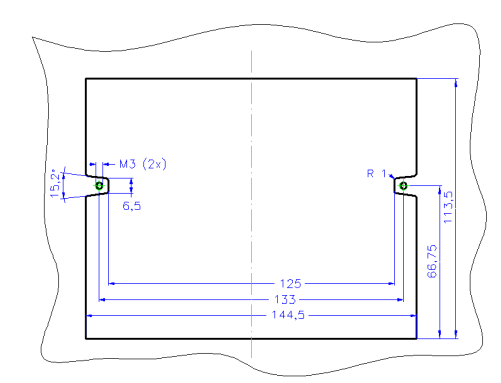
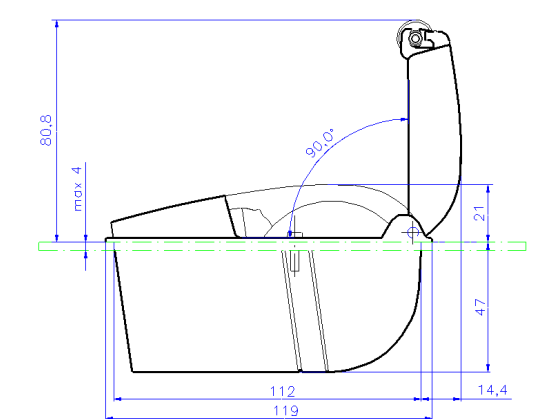


Figure 1: Dimensions GeBE-MULDE Maxi in mm

Technical data details

	GPT-4454-C32
Insert paper	easy paper loading
Print procedure	thermal direct print
Resolution	8 dots/mm (203dpi), 832 dots/line
Print speed	max. 70 mm/s (2.76 inch/s)
Paper width	113.5 ±0.5 mm (4.47 ±0.02 inch)
Print width	104 mm (4.09 inch)
Paper thickness	70 – 100 µm (2.76 - 3.94 mil) or GeBE thin labels
Paper length	approx. 43 m (47.03 yd)
Paper roll diameter	max. 60 mm (2.36 inch)
Supply voltage	4.5 – 8.5 VDC and 10 – 36 VDC
Current consumption print	adjustable via command: 0.7 – 6.0 A (peak)
Current consumption without print	approx. 60 mA (depending on interface)
Available interfaces	USB, RS232
Fonts	23 fonts extendable, UTF-able
Bar code	EAN8, EAN13, UPCA, Code39, 2of5int, Code 128, QR Code
MTBF ^{*)}	50 km (31.07 mile)
Dimensions (W x H x D)	150 x 119 x 68 mm (5.91 x 4.69 x 2.68 inch), mounting depth: 47 mm (1.85 inch)
Weight	approx. 500 g incl. paper roll
Housing	PA6 with 15% glass fiber, color anthracite RAL 7016
Environment ^{**)}	-20°C – +60°C (-4°F – 140°F) with specified paper
Humidity	10 – 90 % relative humidity, no condensation
Storage condition	-20°C – +70°C (-4°F – 158°F) at 10 – 90 % relative humidity, no condensation

^{*)} Life cycle according to mechanism testing conditions of the manufacturer with specified paper only. Please inquire. The life cycle of the print head is an averaged expectable performance and no guaranteed data. Under optimum conditions, the above listed data can be achieved using specified paper according to our documentation TI-606.

^{**)} In case the print head reaches the maximum ambient temperature, the printer will interrupt operation until cooling down and sends an error message.

The GeBE logo is a registered trademark of GeBE Elektronik und Feinwerktechnik GmbH. All other brands named in this brochure are properties of the respective companies. The technical data given are non-committal information and do not represent any assurance of certain features. Errors and changes reserved. This technical documentation is only valid until release of a revision. Please always request the newest documentation edition.

Our terms of payment and delivery apply.

Copyright © 2017 GeBE Elektronik und Feinwerktechnik GmbH.

All rights reserved.