



## GeBE-PIANO<sup>®</sup>

## GPT-4633

### TECHNICAL INFORMATION

#### Highlights at first sight:

- thermal printer with cutter in aluminium plastic housing
- for vouchers, tickets and validation, paper thickness up to 220 µm
- ideal for graphics and bar codes in high quality print of 203 dpi with speed up to 200 mm/s
- adjustable paper width 54-82.5 mm
- exact print positioning controlled by black marks
- model version with formular mode and FGL support for free ticket designing
- 24 VDC power supply, optional independent battery-supplied operation

## The GeBE-PIANO

The GeBE-PIANO GPT-4633 in a plastic framed aluminium housing is primarily used as thermal desktop printer. It is also mountable, e.g. from below in a table plate. Its heavy duty printer mechanism is extremely robust and the integrated cutter allows up to 2 mio. cuts of paper up to 220 µm. Black marks control the accurate cutting at ticket end. Also tear-off at a precast perforation is possible. Optionally the printer can be operated power supply independent through a rechargeable battery.

The paper width is adjustable from 54 to 82.5 mm. The printer processes single tickets from the roll or a leporello pile. With the high resolution of 300 dpi, pin sharp print layouts will be achieved. The model version with FGL support allows free ticket designing.

The printer can be operated in a temperature range of -10°C to +60°C.

### Typical application

Vouchers for e.g. sport events, cinema, theater, concerts / ticket printing in parking decks, swimming halls / validation for e.g. parking time crediting for shopping centers

### Accessory details

Article number	Article designation	Article description
<b>Cable</b>		
11919	GKA-480-2-5-USBM/USBA-1800-D	Round cable USB Mini-B to USB Typ A, length 1800 mm
<b>Accessories</b>		
13065	GMT-4633-PaperGuide	Paper guide for paper width adjustment to 54, 58, 60, 63.5, 68, 76.2 mm
13140	GMT-4633-PaperRollHolder	Paper roll holder for rolls upto Ø 145/185 mm with core 3"
13164	GMT-4633-MontageNut	Milled nuts M3 for quick installation onto PIANO bottom plate
13386	GMT-4633-Baffle	Baffle for printer GPT-4633
13162	GKK-4633-Box	Aluminium transportation box for printer GPT-4633
<b>Sensor</b>		
13314	GSE-BM-4-MLX-E-GPT-4633	2. blackmark sensor for standard tickets, installed (for A8 models)
<b>Power supplies</b>		
13619	GNG-T-24V-2,7A-AC-KAG/HS21	Desktop power supply 24V 2,7A (11 A peak) mit Schuko plug
13609	GNA-Lilon-24V-75Wh-DC12/24	Lithium Ionen accu pack for >3500 tickets
<b>Paper</b>		
13166	GPL-82-100-500-200-12-AJ1K-BM-bl	2x 500 event tickets leporello width: 82 mm, length: 150 mm, stack high: 100 mm, thickness: 200µm, blue

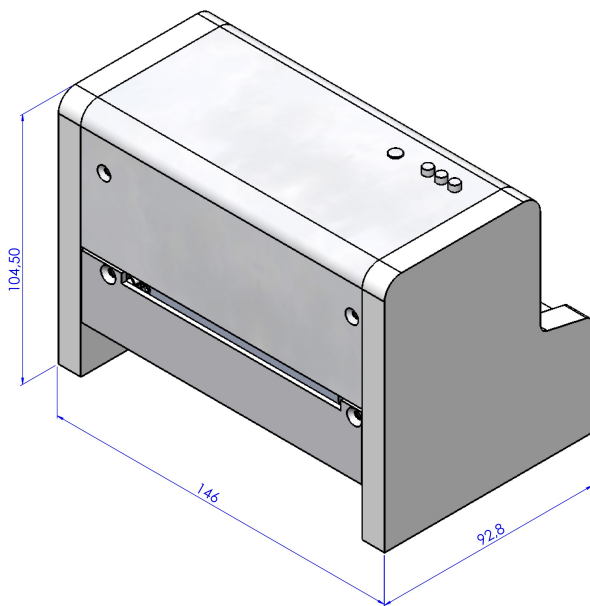
## Drivers

The printer controller GCT-4692 will be supported by following drivers:

Windows® CE.Net 4.2, 5.0, 6.0, 7.0 and Windows® 2000, XP, Vista, 7, 8, 8.1

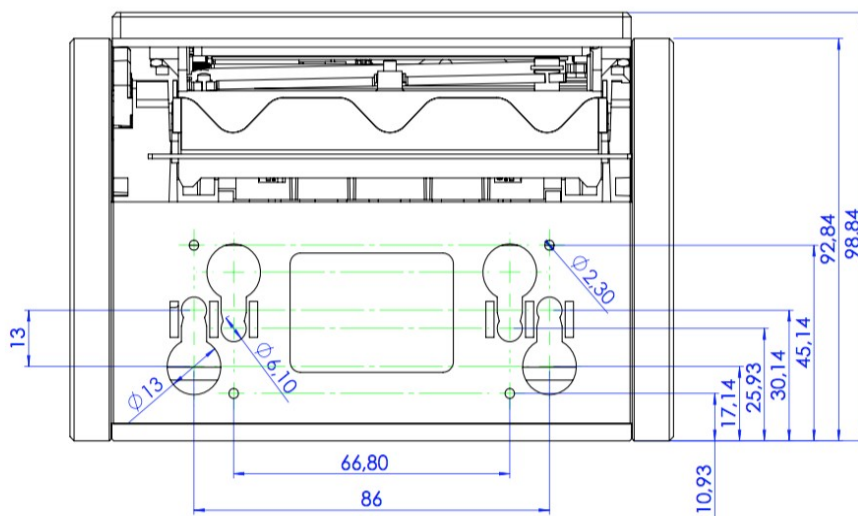
Unix via Cups for Linux and Mac OS

## Technical drawings



Drawing 1: GeBE-PIANO for paper widths 58-82.5 mm

Drawing 2: Mounting holes



## Technical data details

	GPT-4633-A8	GPT-4633-C32
Insert paper	Auto paper loading	
Print procedure	Thermal direct print	
Resolution	8 dots/mm (203dpi), 640 dots/line	12 dots/mm (300dpi), 960 dots/line
Print speed	max. 200 mm/s	max. 250 mm/s
Paper / print width	54, 58, 60, 63.5, 68, 76.2, 82.5 / max. 80 mm	
Paper thickness	80 - 220 µm	
Supply voltage	24 V DC	
Max. current during print	adjustable via command 3 – 12 A	
Current consumption during standby	60 mA	80 mA
Available interfaces	USB	
Fonts	IBM II 40, 80 characters/line, upgradeable	23 fonts available, extendable, UTF-able
Barcode	Code 39, 2of5 int., EAN13 optional: Code 128c, PDF 417	EAN8 / EAN13 / UPCA / Code 39 / 2of5 int. / Code 128c
Emulations	n/a	A8 / N78 / HPIr / PCL3 / FGL
Sensors	paper end, head open, head temperature, blackmark	paper end, head open, head temperature, 2x blackmark, 4x AUX, exit
MTBF*)	150 km / 2 mio. cuts	
Dimensions	146 x 92.8 x 104.5 mm	
Weight	ca. 1000g	
Paper roll diameter	max. 185 mm	
Housing	PS and aluminium	
Environment	-10° C - +60° C with specified paper	
Humidity	10 – 90 % rel. humidity, without condensation	
Storage condition	-20°C - +70°C at 10 – 90 % rel. humidity, without condensation	

\*) Life cycle according to mechanism testing conditions of the manufacturer with specified paper only. Please inquire. The life cycle of the print head is an averaged expectable performance and no guaranteed data. Under optimum conditions, the above listed data can be achieved using specified paper according to our documentation TI-606.

The GeBE logo is a registered trademark of GeBE Elektronik und Feinwerktechnik GmbH. All other brands named in this brochure are properties of the respective companies. The technical data given are non-committal information and do not represent any assurance of certain features. Errors and changes reserved. This technical documentation is only valid until release of a revision.

Please always request the newest documentation edition.

Our terms of payment and delivery apply.

Copyright © 2016 GeBE Elektronik und Feinwerktechnik GmbH.

All rights reserved.