



Modular system GeBE-COMPACT Plus

GPT-467x

TECHNICAL INFORMATION



Highlights at first sight:

- Modular built-in thermal printer, also with presenter – individually combinable
- Robust stainless steel housing with illuminable bezel in green or white transparent
- Retract function for paper-saving printing and data-sensitive printouts
- Cutter for full and half cut for paper thickness 70 – 200 µm
- Suitable for protocol, receipt and ticket printing with text, graphics and barcodes
- Two nominal paper width 60 and 82 mm, for paper roll diameter up to 250 mm
- High quality print of 203/300 dpi with speed up to 250 mm/s
- Suitable for solar operation, power supply 10.8 – 26.5 VDC

The GeBE-COMPACT Plus (Presenter)

The built-in thermal printer GeBE-COMPACT Plus (Presenter) GPT-4672(-P) / GPT-4673(-P) is tailored for front panel or paper tray solutions. The power supply of 10.8 – 26.5 VDC also allows the solar operation.

The completely modular system maps almost every OEM printer requirement. The additional parts can be freely combined with the basic module, the printer unit. In contrast to the designs common on the market, the new bezel offers greater protection against vandalism and screw-free insertion into a housing front.

A heat sink is available for the GeBE-COMPACT Plus GPT-4673 to increase the print performance. This allows continuous operation even at a room temperature of 23°C (73.4°F). The motor temperature rises to approx. 70°C (158°F) when using a standard ticket. The printer with heat sink can be combined with all additional parts, except with the exit sensor incl. 3" sensor holder.

The GeBE-COMPACT Plus with presenter unit can completely confiscate a not removed printout (e.g. bank statements) after a programmed time. In addition, the fast printout "presenting" prevents damage to printer mechanism and cutter, caused by impatient pulling when removing a ticket. Due to a modification of the presenter – specifically the presenter structure located between the platens – the GeBE-COMPACT Plus GPT-4673-P can now print on paper with a thickness of up to 135 µm (5.31 mil).

Blackmarks exactly control the printing process (e.g. text in preprinted tickets). The wide range of available layout commands and several character sizes allows attractive ticket designs.

Using the right paper, the printer can be operated in a temperature range of -25°C to +70°C (-13°F to +158°F), also for outdoor applications.

Typical applications

- Protocol printing, e.g. in machines
- Receipt printing in kiosk systems, e.g. for deposit voucher
- Ticket printing in vending machines, e.g. train ticket

Drivers

The printer controllers GCT-46620 and GCT-46630 will be supported by following drivers:

- Windows[®] 10, 11 (others on request)
- CUPS for Linux Ubuntu 16.04 LTS, 18.04 LTS, 20.04 LTS, 22.04 LTS and 24.04 LTS (others on request)
- SDK for Windows[®] 10, 11, Android Studio up from version 3.2.1, Linux Ubuntu 16.04 LTS, 18.04 LTS, 20.04 LTS, 22.04 LTS and 24.04 LTS, (others on request)

GeBE-COMPACT Plus (Presenter) - modular

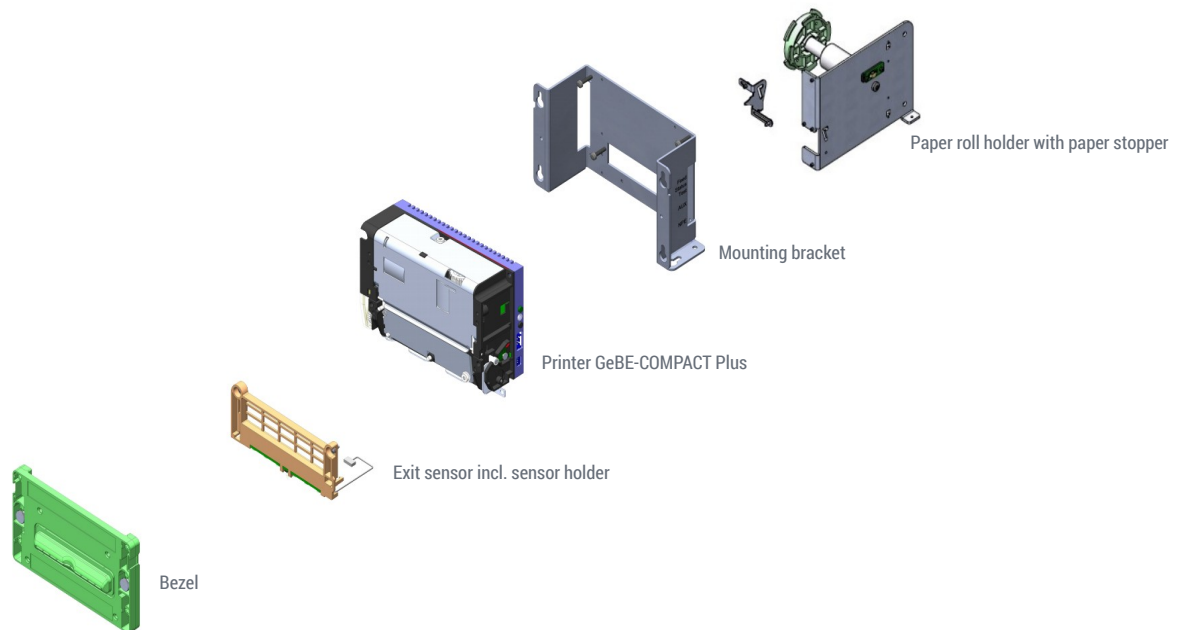


Figure 1: Possible combination of GeBE-COMPACT Plus GPT-467x with paper roll holder

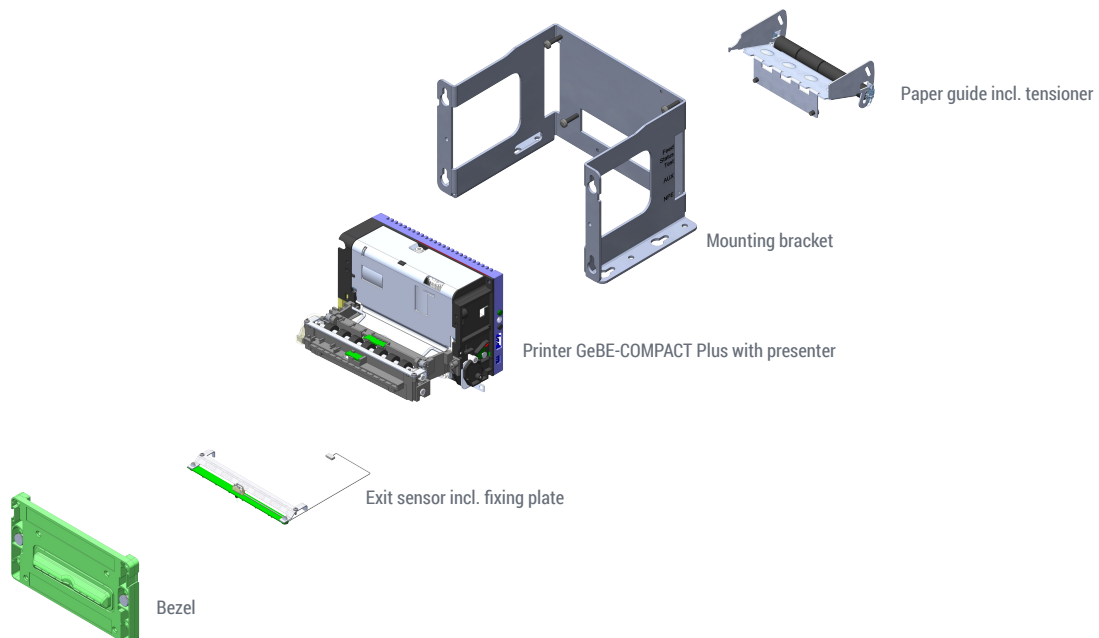


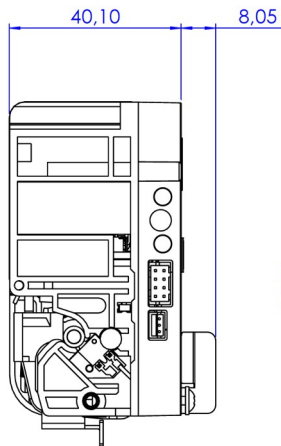
Figure 2: Possible combination of GeBE-COMPACT Plus GPT-467x with presenter and paper guide

Accessory

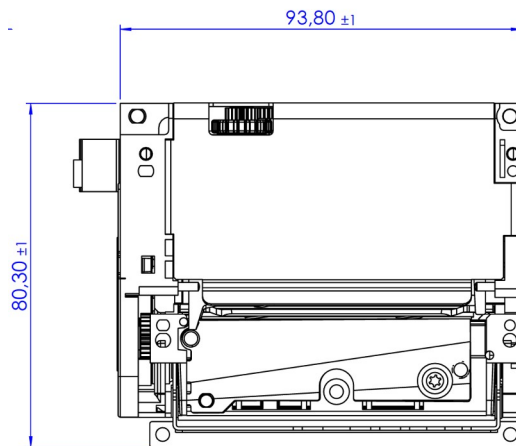
Article number	Article description	GPT-4672	GPT-4672-P	GPT-4673	GPT-4673-P
Cable					
12872	Data round cable USB 2.0 FS, 5 pin, Molex to USB A, length 2,000 mm (78.74 inch)	x	x	x	x
11352	Data round cable RS232, 5 pin, JST SHR to Sub-D, length 1,000 mm (39.37 inch)	x	x	x	x
11387	Data cable RS232, 5 pin, JST SHR - one side open, length 500 mm (19.69 inch)	x	x	x	x
10258	Power supply cable for 10 – 36 VDC, 2 single wires 1.0 mm ² with end splice, one side open, length 500 mm (19.69 inch)	x	x	x	x
Power supply					
13694	Power supply 24 VDC / 6.5A with shockproof plug and power supply cable	x	x	x	x
Spare parts					
14161	Platen	x	x		
14162	Platen			x	x
Options for the module					
14204	Mounting bracket for GPT-4672-C32	x			
14200	Mounting bracket for GPT-4672-P-C32		x		
14255	Mounting bracket for GPT-4673-C32			x	
14205	Mounting bracket for GPT-4673-P-C32				x
14286	Heat sink			x	
Options, only together with mounting bracket					
14247	Paper roll holder for paper rolls ø 70 mm (2.76 inch) • with paper stopper • without tensioner • without NPE	x	x		
14251	Paper roll holder for paper rolls ø 140 mm (5.51 inch) • with paper stopper • with tensioner • without NPE	x	x		
14249	Paper roll holder for paper rolls ø 250 mm (9.84 inch) • paper width: 60 mm (2.36 inch) • with tensioner • without paper roll axis • without NPE	x	x		
14291	Paper roll axis for 14249 • paper width: 60 mm (2.36 inch) • core diameter: 40 mm (1.57 inch)	x	x		
14293	Paper roll axis for 14249 • paper width: 60 mm (2.36 inch) • core diameter: 76 mm (2.99 inch)	x	x		
14199	Paper guide	x	x		
14201	Paper guide incl. tensioner	x	x		
14207	Paper guide for 54 mm (2.13 inch) paper width	x	x		
14165	Green bezel (plastic)	x	x		
14240	White transparent bezel (plastic)	x	x		

Article number	Article description	GPT-4672	GPT-4672-P	GPT-4673	GPT-4673-P
14248	Paper roll holder for paper rolls ø 80 mm (3.15 inch) • with paper stopper • without tensioner • without NPE			x	x
14252	Paper roll holder for paper rolls ø 150 mm (5.91 inch) • with paper stopper • with tensioner • without NPE			x	x
14250	Paper roll holder for paper rolls ø 250 mm (9.84 inch) • paper width: 82.5 mm (3.25 inch) • with tensioner • without paper roll axis • without NPE			x	x
14292	Paper roll axis for 14250 • paper width: 82.5 mm (3.25 inch) • core diameter: 40 mm (1.57 inch)			x	x
14294	Paper roll axis for 14250 • paper width: 82.5 mm (3.25 inch) • core diameter: 76 mm (2.99 inch)			x	x
14202	Paper guide			x	x
14203	Paper guide incl. tensioner			x	x
14166	Green bezel (plastic)			x	x
14241	White transparent bezel (plastic)			x	x
14253	Mounting plate and modified bezel for paper tray GPS-085	x			
14254	Mounting plate and modified bezel for paper tray GPS-085			x	
11957	Paper tray for paper width up to 85 mm (3.35 inch), receipt length 130 mm (5.12 inch)	x		x	
14130	Exit sensor incl. 2" sensor holder for controller with PHDR8 connector	x			
14198	Exit sensor incl. fixing plate for 2" presenter and controller with PHDR8 connector		x		
14197	Exit sensor incl. 3" sensor holder for controller with PHDR8 connector			x	
14206	Exit sensor incl. fixing plate for 3" presenter and controller with PHDR8 connector				x
14188	NPE sensor with PE isolator & screws, without cable	x	x	x	x
14189	NPE sensor cable for 14188 and GPT-467x with ZHR3 connector	x	x	x	x
14190	NPE sensor cable for 14188 and GPT-467x-P with ZHR3 connector	x	x	x	x
Paper					
12993	10 years paper • roll: max. ø 70 mm (2.76 inch) • core inside: ø 25 mm (0.98 inch) • width: 59.5 ±0.5 mm (2.34 ±0.02 inch) • paper thickness: approx. 80 µm (3.15 mil) • outside coated • running length: approx. 40 m (43.74 yd)	x	x		
13760	10 years paper • roll: max. ø 90 mm (3.54 inch) • core inside: ø 25 mm (0.98 inch) • width: 59.5 ±0.5 mm (2.34 ±0.02 inch) • paper thickness: approx. 80 µm (3.15 mil) • outside coated • running length: approx. 70 m (76.55 yd)	x	x		
13001	10 years paper • roll: max. ø 150 mm (5.91 inch) • core inside: ø 25 mm (0.98 inch) • width: 59.5 ±0.5 mm (2.34 ±0.02 inch) • paper thickness: approx. 80 µm (3.15 mil) • outside coated • running length: approx. 211 m (230.75 yd)	x	x		
12785	25 years paper • roll: max. ø 70 mm (2.76 inch) • core inside: ø 25 mm (0.98 inch) • width: 82.0 ±0.5 mm (3.23 ±0.02 inch) • paper thickness: approx. 80 µm (3.15 mil) • outside coated • running length: approx. 40 m (43.74 yd)			x	x
13671	25 years paper • roll: max. ø 150 mm (5.91 inch) • core inside: ø 25 mm (0.98 inch) • width: 82.0 ±0.5 mm (3.23 ±0.02 inch) • paper thickness: approx. 80 µm (3.15 mil) • outside coated • running length: approx. 211 m (230.75 yd)			x	x

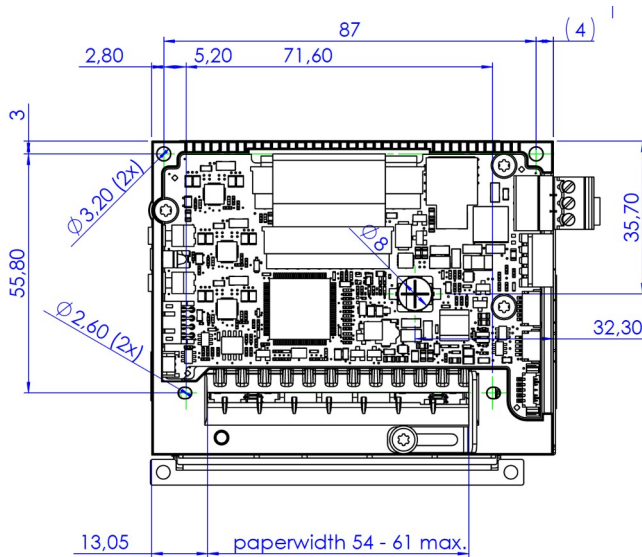
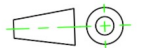
Technical drawings



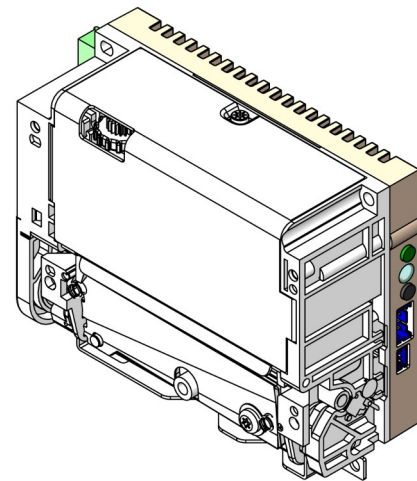
Side view from the right



Front view



Back view



3D view

Figure 3: Dimensions GeBE-COMPACT Plus GPT-4672 (for max. 60 mm paper width) in mm

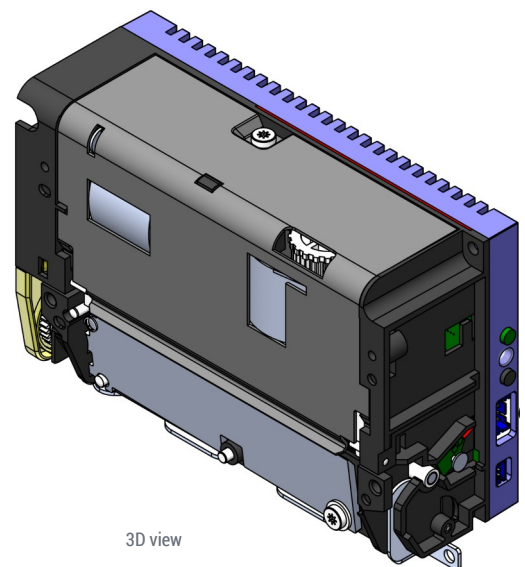
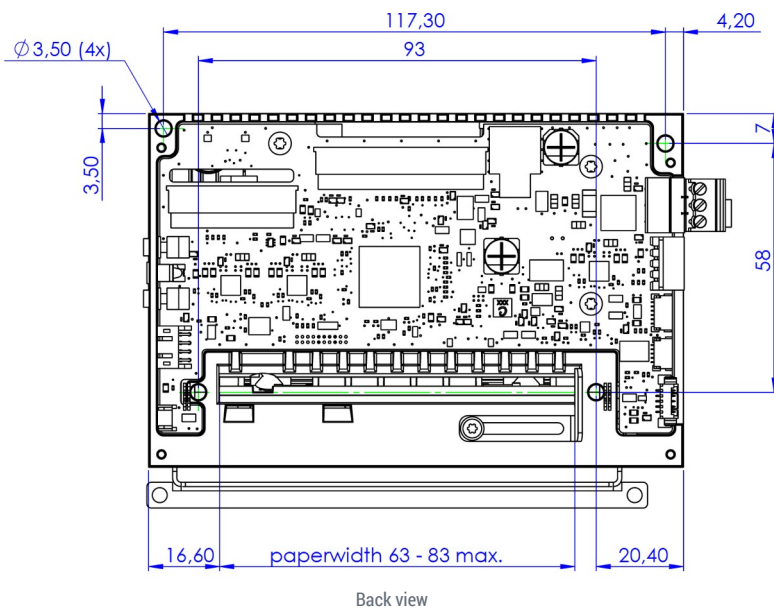
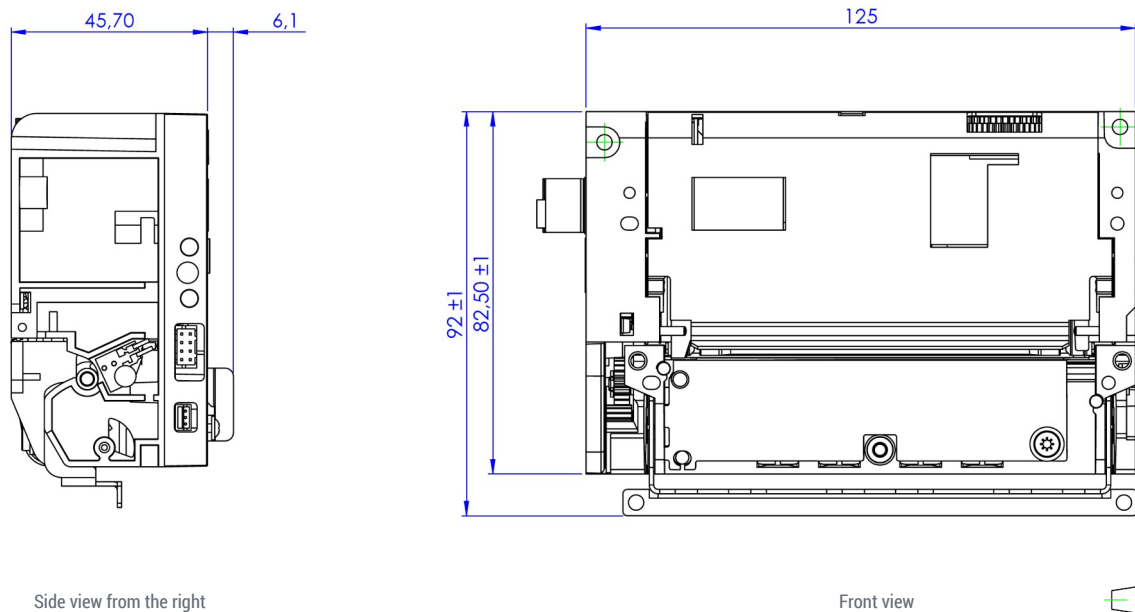
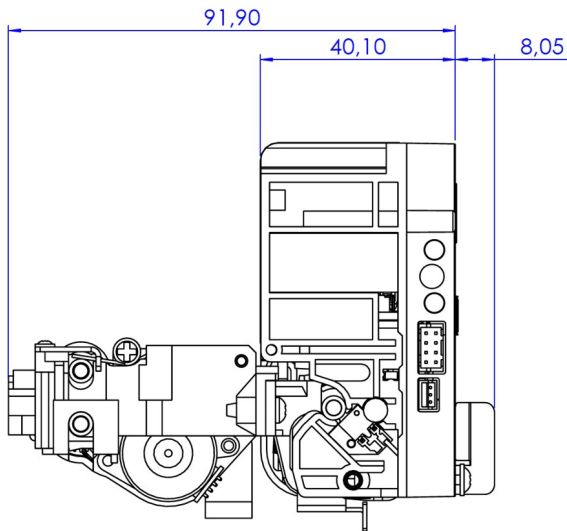
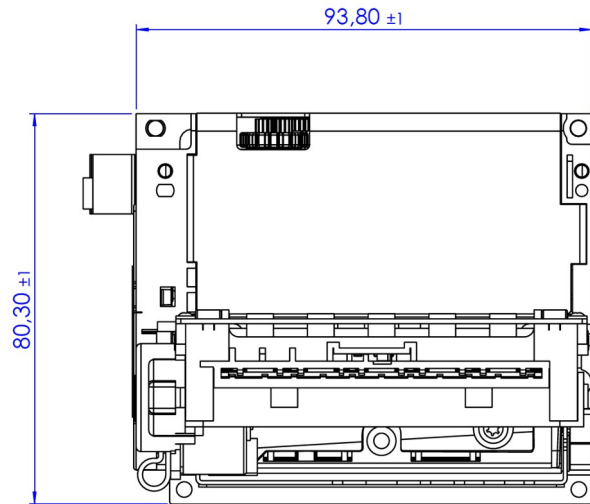


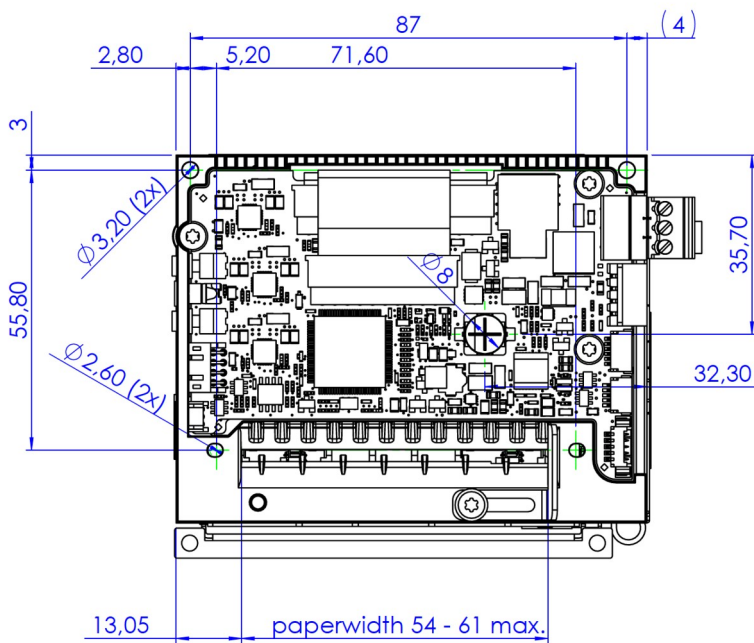
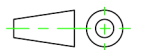
Figure 4: Dimensions GeBE-COMPACT Plus GPT-4673 (for max. 82.5 mm paper width) in mm



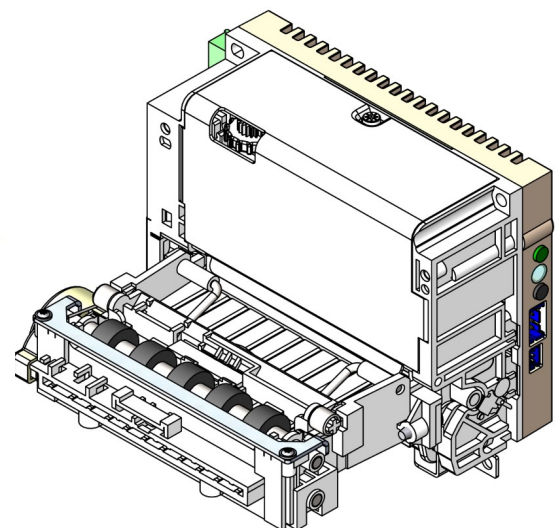
Side view from the right



Front view

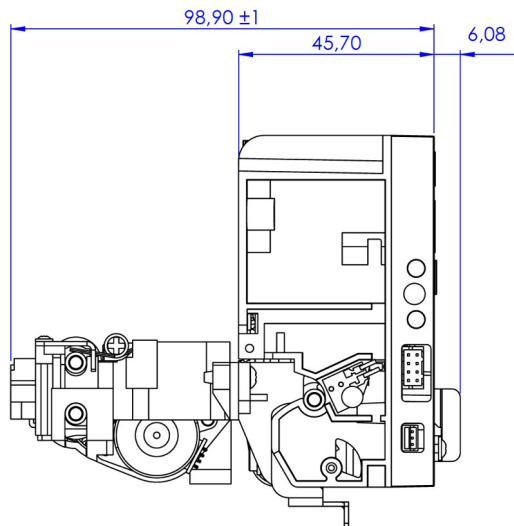


Back view

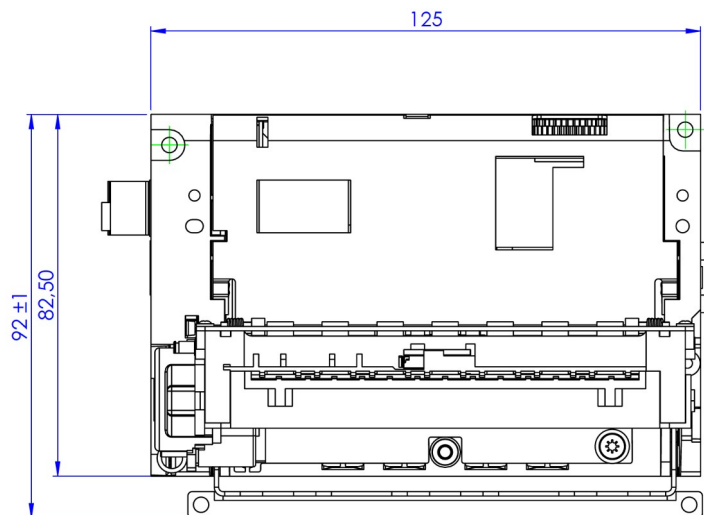


3D view

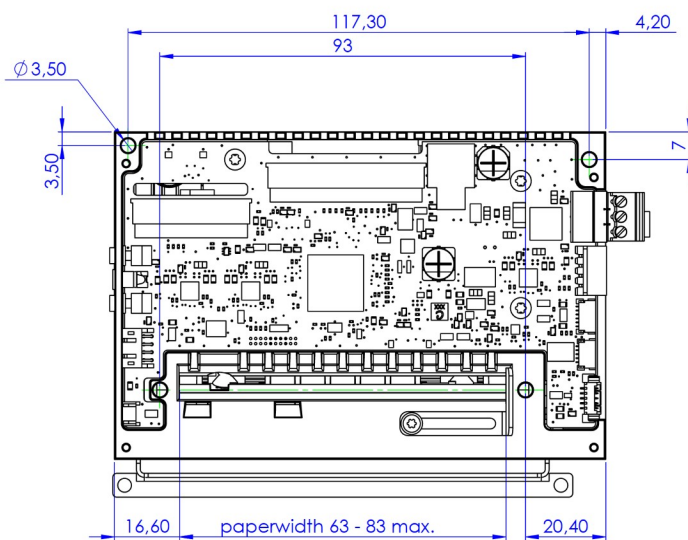
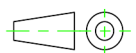
Figure 5: Dimensions GeBE-COMPACT Plus GPT-4672 with presenter (for max. 60 mm paper width) in mm



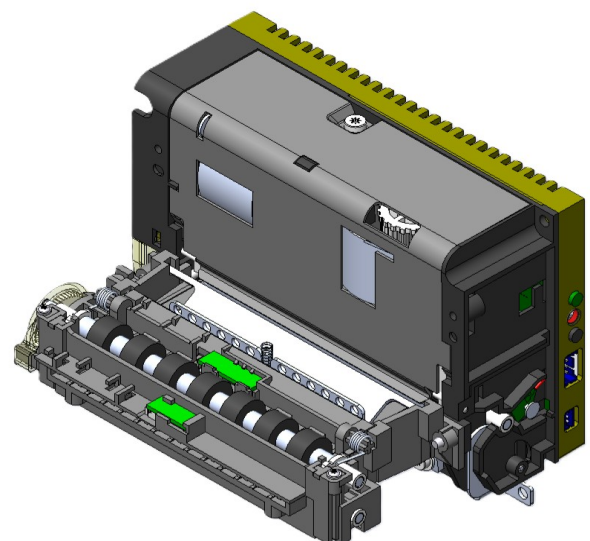
Side view from the right



Front view



Back view



3D view

Figure 6: Dimensions GeBE-COMPACT Plus GPT-4673 with presenter (for max. 82.5 mm paper width) in mm

Technical data details

	GPT-4672-12V	GPT-4672	GPT-4672-P	GPT-4673-300	GPT-4673	GPT-4673-P
Insert paper	auto paper loading					
Print procedure	thermal direct print					
Resolution	8 dots/mm (203 dpi), 448 dots/line			12 dots/mm (300 dpi), 960 dots/line	8 dots/mm (203 dpi), 640 dots/line	
Print speed	max. 250 mm/s (9.84 inch/s), depending on printer mechanism and settings					
Paper width	54 – 60 mm (2.13 – 2.36 inch)	58 – 60 mm (2.28 – 2.36 inch)	63 – 82.5 mm, optional: 86 mm (2.48 – 3.25 inch, optional: 3.39 inch)	80 – 82.5 mm (3.15 – 3.25 inch)		
Print width	56 mm (2.20 inch)			81.3 mm (3.20 inch)	80 mm (3.15 inch)	
Paper thickness	70 – 200 µm (2.76 – 7.87 mil)	70 – 115 µm (2.76 – 4.53 mil)	70 – 200 µm (2.76 – 7.87 mil)		70 – 135 µm (2.76 – 5.31 mil)	
Paper roll diameter	with paper roll holder: without tensioner max. 70 mm (2.76 inch), with tensioner max. 140 mm (5.51 inch) or max. 250 mm (9.84 inch)			with paper roll holder: without tensioner max. 80 mm (3.15 inch), with tensioner max. 150 mm (5.91 inch) or max. 250 mm (9.84 inch)		
Supply voltage	8.0 – 16.0 VDC	10.8 – 26.5 VDC		24 VDC ±10%	10.8 – 26.5 VDC	
Current consumption print	adjustable via command: approx. 3.0 – 6.5 A (peak)					
Current consumption without print	approx. 30 mA (depending on interface)					
Available interfaces	USB 2.0 FS, RS232					
Fonts	11 fonts extendable, UTF-able, optional: Unicode					
Barcode	EAN8, EAN13, UPCA, Code39, 2of5int, Code128, QR Code					
MTBF**)	100 km (62 miles) / 2 Mio. cuts					
Dimensions module (W x H x D)	95 x 81 x 41 mm (3.74 x 3.19 x 1.61 inch)	95 x 81 x 92 mm (3.74 x 3.19 x 3.62 inch)	125 x 93 x 46 mm (4.92 x 3.66 x 1.81 inch)	125 x 93 x 99 mm (4.92 x 3.66 x 3.9 inch)		
Weight module	approx. 300 g	approx. 405 g	approx. 500 g		approx. 640 g	
Environment**)	-25°C – +70°C (-13°F – +158°F) with specified paper					
Humidity	10 – 90 % relative humidity, without condensation					
Storage condition	-25°C – +70°C (-13°F – +158°F) at 10 – 90 % relative humidity, without condensation					

*) Life cycle according to mechanism testing conditions of the manufacturer with specified paper only. Please inquire. The life cycle of the print head is an averaged expectable performance and no guaranteed data. Under optimum conditions, the above listed data can be achieved using specified paper according to our documentation TI-DE-0606.

***) In case the print head reaches the maximum ambient temperature, the printer will interrupt operation until cooling down and sends an error message.

The GeBE logo is a registered trademark of GeBE Elektronik und Feinwerktechnik GmbH. All other brands named in this brochure are properties of the respective companies.

The technical data given are non-committal information and do not represent any assurance of certain features. Errors and changes reserved.

This technical documentation is only valid until release of a revision. Please always request the newest documentation edition.

Our terms of payment and delivery apply.

Copyright © 2026 GeBE Elektronik und Feinwerktechnik GmbH.

All rights reserved.