

GeBE-COMPACT

TECHNICAL INFORMATION

GPT-6772 | -6773

Highlights at first sight:

- compact thermal printer in secure stainless steel housing
- silent cutter for full or partial cut
- ideal for protocol, receipt and ticket printing
- for paper width 51 – 82 mm, paper thickness 60 – 150 µm
- printing of text, graphics and bar codes in high quality 203 dpi with up to 200 mm/s printing speed
- variable paper roll holder according to application
- OEM customization already available for small series

The GeBE-COMPACT

The built-in thermal printer GeBE-COMPACT (GPT-6772, -6773) combines the high qualitative Fujitsu printer mechanism and cutter with the precise GeBE Controller in a robust stainless steel housing.

Its high printing speed up to 200 mm/s helps to prevent faulty operation.

Removed tickets are reliably registered by a paper-exit sensor.

The actual paper reservoir can be detected either by a near-paper-end sensor or the paper roll diameter sensor.

The GeBE switching voltage supply supplies the printer with 24 VDC.

Using the right paper, the printer can be operated in a temperature range of -20°C to +70°C, also outdoor.

Typical application

Protocol printing in machines / ticket printing in kiosk systems, e.g. for pawn / ticket printing in automat e.g. train ticket

Drivers

The printer controller GCT-6794 / -6795 will be supported by following drivers:

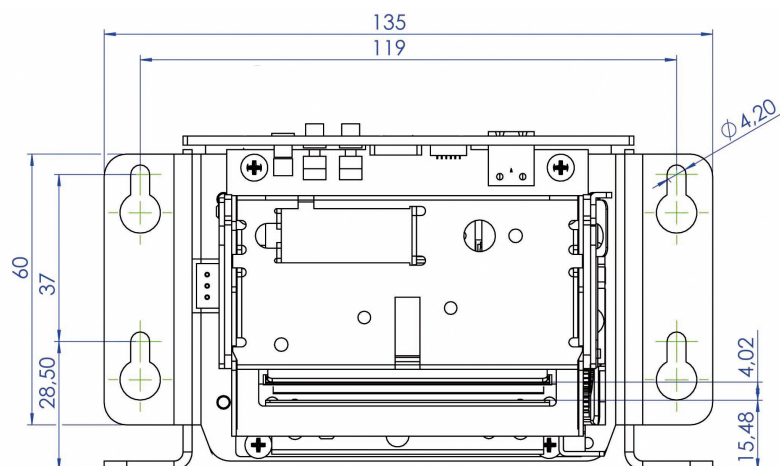
Windows[®] CE.Net 4.2, 5.0, 6.0 and Windows[®] 2000, XP, Vista, 7, 8, 8.1

Unix via Cups for Linux and Mac OS

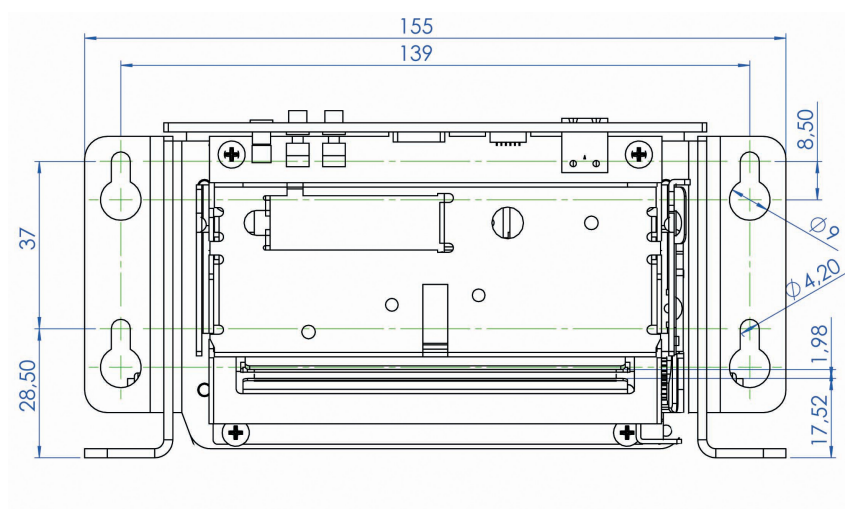
Accessory details

Article number	Article designation	Article description
Cable		
10258	GKA-245-1-2-AEH/x-500-S	Power supply 1,00 qmm, length 500 mm with wire end sleeve
11352	GKA-406-2-5-SHR/SubD9-1000-D	Round cable RS232 JST 5-pin to sub-D 9, length 1000 mm
11387	GKA-414-1-5-SHR/x-500-D	Cable JST 5-pin, one side open, length 500 mm
12872	GKA-570-2-5-MLX/USBA-2000-D	Cable USB type B to type A, length 2000 mm
Accessory		
13026	GMT-6772-paper_roll_holder	Paper roll holder for GPR-6772 models for ø 80 mm rolls
13304	GMT-6772-Bezel	Exit bezel for GPR-6772 models
13025	GMT-6773-paper_roll_holder	Paper roll holder for GPR-6773 models for ø 80 mm rolls
13295	GMT-6773-Bezel	Exit bezel for GPR-6773 models
13379	GSE-NPE-01-060-installed	NPE sensor for paper roll holder
Power supply		
13694	GNG-0-24V-6,5A-AC-SK/AEH-Set	Power supply 24V 6.5A with Schuko plug and power supply cable
Paper		
GPT-6772		
12993	GPR-060-070-025-080-07-AN1k-WR	7 years paper, roll ø 70 mm, width: 60 mm, paper thickness: 80 µm, outside coated, water resistant
13001	GPR-060-150-025-080-07-AN1k-WR	7 years paper, roll ø 150 mm, width: 60 mm, paper thickness: 80 µm, outside coated, water resistant
13717	GPR-060-150-025-120-07-AN1k-WR	7 years paper, roll ø 150 mm, width: 60 mm, paper thickness: 120 µm, outside coated, water resistant
Paper		
GPT-6773		
12227	GPR-082-042-012-080-07-AN1k-WR	7 years paper, roll ø 42 mm, width: 82 mm, paper thickness: 80 µm, outside coated, water resistant
12785	GPR-082-070-025-080-07-AN1k-WR	7 years paper, roll ø 70 mm, width: 82 mm, paper thickness: 80 µm, outside coated, water resistant
13671	GPR-082-150-025-080-07-AN1k-WR	7 years paper, roll ø 150 mm, width: 82 mm, paper thickness: 80 µm, outside coated, water resistant
13719	GPR-082-150-025-120-07-AN1k-WR	7 years paper, roll ø 150 mm, width: 82 mm, paper thickness: 120 µm, outside coated, water resistant

Technical drawings



Drawing 1: GeBE-COMPACT for 60 mm paper width



Drawing 2: GeBE-COMPACT for 82 mm paper width

Technical data details

	GPT-6772	GPT-6773
Insert paper		Auto paper loading
Print procedure		Thermal direct print
Resolution	8 dots/mm (203dpi), 432 dots/line	8 dots/mm (203dpi), 576 dots/line
Print speed		max. 200 mm/s
paper / print width	60 / 54 mm	60, 80, 82 / 74 mm
Paper thickness		60 – 150 µm
Supply voltage		24 V
Max. current during print		Adjustable via command 3 – 12 A
Current consumption during standby		60 mA, depending on interface
Available interfaces		RS232, USB
Fonts		IBMII 24, 32, 42, 54 characters/line, upgradeable
Bar code		Code 39, 2of5 int., EAN13 optional: Code 128c, PDF 417
MTBF*)		100 km / up to 700.000 cuts, depending on paper thickness
Dimensions	135 x 76.7 x 53.5 mm, without paper holder	155 x 76.6 x 53.5 mm, without paper holder
Weight	500 g incl. paper roll	650 g incl. paper roll
Paper roll diameter		80 mm, incl. roll holder
Housing		Stainless steel
Environment	-20°C - +70°C with specified paper	-20°C - +70°C with specified paper
Humidity		10 – 90 % rel. humidity – without condensation
Storage condition		-30°C - +80°C 10 – 90 % rel. humidity – without condensation

*) Life cycle according to mechanism testing conditions of the manufacturer with specified paper only. Please inquire. The life cycle of the print head is an averaged expectable performance and no guaranteed data. Under optimum conditions, the above listed data can be achieved using specified paper according to our documentation TI-606.

The GeBE logo is a registered trademark of GeBE Elektronik und Feinwerktechnik GmbH. All other brands named in this brochure are properties of the respective companies. The technical data given are non-committal information and do not represent any assurance of certain features. Errors and changes reserved. This technical documentation is only valid until release of a revision.

Please always request the newest documentation edition. Our terms of payment and delivery apply.

Copyright © 2016 GeBE Elektronik und Feinwerktechnik GmbH.

All rights reserved.